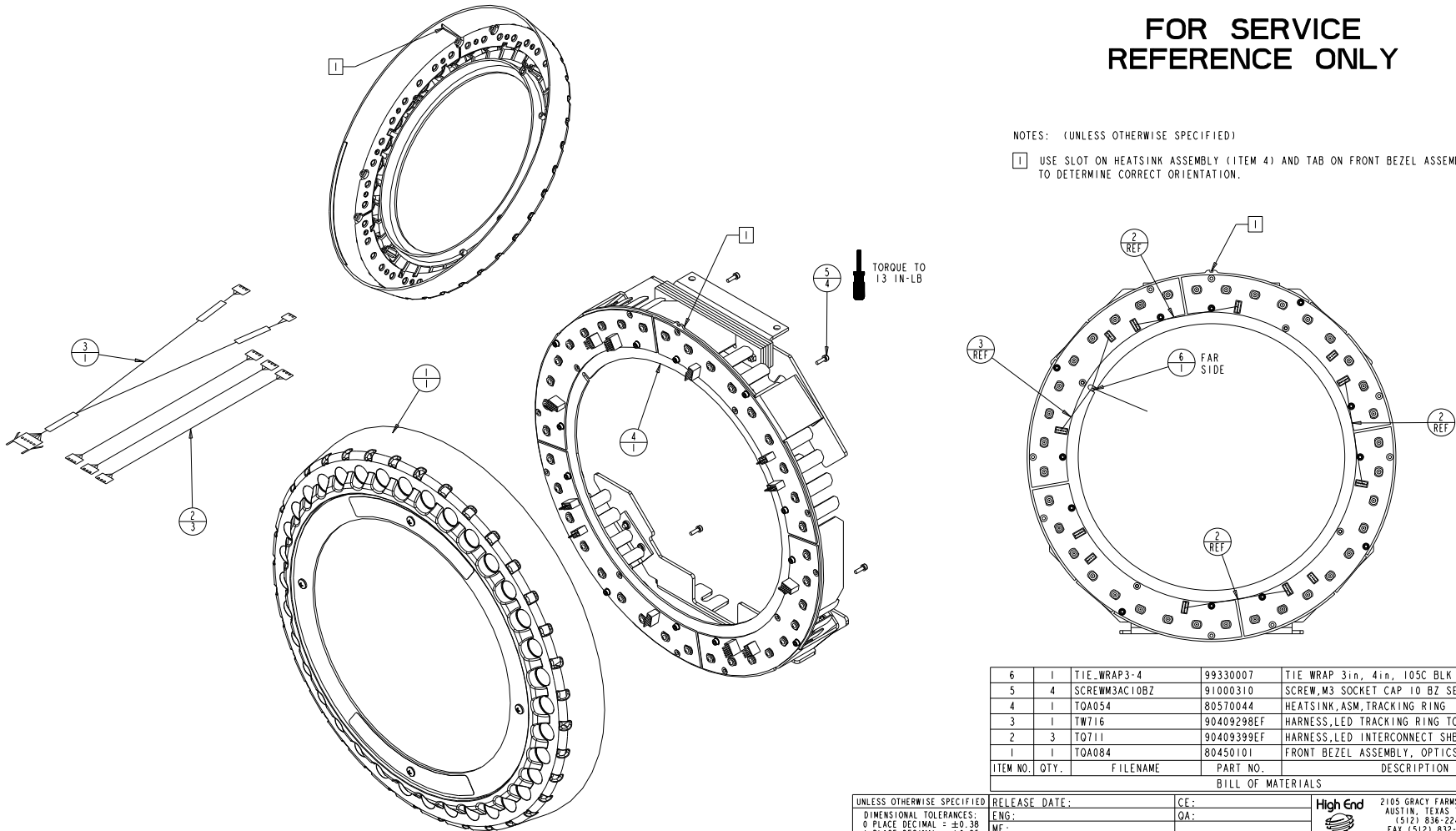


FOR SERVICE REFERENCE ONLY

NOTES: (UNLESS OTHERWISE SPECIFIED)

- 1 USE SLOT ON HEATSINK ASSEMBLY (ITEM 4) AND TAB ON FRONT BEZEL ASSEMBLY (ITEM 1) TO DETERMINE CORRECT ORIENTATION.



ITEM NO.	QTY.	FILENAME	PART NO.	DESCRIPTION
6	1	TIE_WRAP3-4	99330007	TIE WRAP 3in, 4in, 105C BLK
5	4	SCREWM3AC10BZ	91000310	SCREW,M3 SOCKET CAP 10 BZ SEMS
4	1	TOA054	80570044	HEATSINK,ASM,TRACKING RING
3	1	TW716	90409298EF	HARNES,LED TRACKING RING TO MAIN
2	3	T0711	90409399EF	HARNES,LED INTERCONNECT SHB
1	1	TOA084	80450101	FRONT BEZEL ASSEMBLY, OPTICS

UNLESS OTHERWISE SPECIFIED
 DIMENSIONAL TOLERANCES:
 0 PLACE DECIMAL = ±0.38
 1 PLACE DECIMAL = ±0.25
 2 PLACE DECIMALS = ±0.13
 ANGLES = ±0.5°

RELEASE DATE: _____ CE: _____
 ENG: _____ QA: _____
 ME: _____
 MFG: _____ DRW: _____

FOR PAINTED PARTS REFER TO ENG. SPEC. MANUAL WI-0592
 ALL COMPONENTS, MATERIALS AND FINISHES TO BE R6HS COMPLIANT

FINISH: NA

INTERPRET DIMENSIONS PER ASME Y14.5M-1994
 THIRD ANGLE PROJECTION
 DIMENSIONS ARE IN MILLIMETERS

SI METRIC A1

PART NO. 80450102 DRAWING NO. TQA032_SVC
 DO NOT SCALE SCALE: 0.480 SHEET: 1 OF 1



PROPRIETARY NOTICE:
 THIS DOCUMENT CONTAINS CONFIDENTIAL AND PROPRIETARY INFORMATION OF HIGH END SYSTEMS INC., (ALSO DBA LIGHTWAVE RESEARCH) AND IS GIVEN TO THE RECEIVER IN CONFIDENCE. THE RECEIVER ACCEPTS AND AGREES THAT, EXCEPT AS AUTHORIZED BY HIGH END SYSTEMS, THE RECEIVER WILL NOT PERMIT THE USE OF THE DOCUMENT OR ANY COPY THEREOF OR THE INFORMATION THEREIN, WILL NOT COPY OR PERMIT COPYING THE DOCUMENT OR THE INFORMATION THEREIN, AND WILL UPON COMPLETION OF THE NEED TO RETURN THE DOCUMENT, OR UPON DEMAND, RETURN THE DOCUMENT WITHOUT RETAINING ANY OF THE INFORMATION CONTAINED THEREIN IN ANY FORM WHATSOEVER.